



SERVICE BULLETIN

DATE: 9-Dec-05 BULLETIN NUMBER: 247 Update (pg. 1)

SUBJECT: Fuel Filter Bracket # 300103

MODEL AFFECTED: Universal M 25XPB, M 25XPBC, M 35B, M 35BC, M 40B

DETAIL: Service Bulletin 247 was originally published in December 2005, see page two of this update for more information. Since the original publication date it has been determined that the majority of bracket problems were caused by excessive vibration due to low engine idle speed. For information regarding the proper engine idle speed refer to your Operator's Manual. Keep in mind the accuracy of the engine instrument panel's electric tachometer should be verified with a known good photo electric tachometer.

The purpose of this update is to stress the importance of correct engine idle speed and to inform our customers that the fuel filter bracket (P.N. 300103) is no longer available free of charge from Westerbeke.

To have your engine professionally inspected by a qualified technician or to purchase a replacement bracket please contact you local Westerbeke Dealer or Distributor.

Updated 18-June-2013

WESTERBEKE CORPORATION

Myles Standish Industrial Park, 150 John Hancock Road, Taunton, MA 02780-7319 • Tel: 508.823.7677 • Fax: 508.884.9688

www.westerbeke.com

SERVICE BULLETIN

DATE: 9-Dec-05 BULLETIN NUMBER: 247 Update (pg. 2)

SUBJECT: Fuel Filter Bracket # 300103

MODEL AFFECTED: Universal M 25XPB, M 25XPBC, M 35B, M 35BC, M 40B

DETAIL: FRACTURES HAVE BEEN REPORTED FROM THE FIELD IN THE AREA OF THE 90-DEGREE BEND

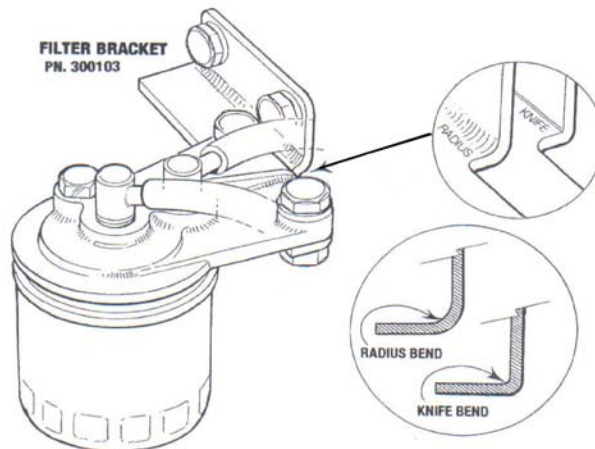
IN THE #300103 BRACKET. INSPECTION OF BRACKETS RETURNED FROM THE FIELD HAS SHOWN THAT THE 90- DEGREE BEND WAS INCORRECTLY PERFORMED USING A KNIFE-EDGE BENDER RATHER THAN A RADIUS BENDER.

THIS KNIFE EDGE BENDING PROCESS PLACES A NOTICEABLE CREASE ALONG THE BEND WHICH CAN STRESS THIS AREA OF THE METAL CREATING THE POSSIBILITY OF A FRACTURE TAKING PLACE ALONG THIS CREASE.

THE ABOVE SUBJECT MODELS USING THIS BRACKET MANUFACTURED PRIOR TO SEPTEMBER 2004 (E409) ARE SUSPECT. VISUALLY INSPECT THE BRACKET AND IF A CREASE IS VISIBLE ALONG THE BEND AREA. CONTACT WESTERBEKE CORPORATION AT 508-823-7677. PROVIDE THE ENGINE MODEL AND SERIAL NUMBER AND A SHIPPING ADDRESS AND A REPLACEMENT BRACKET WILL BE SENT AT NO CHARGE.

NOTE: TO LOW OF AN ENGINE IDLE SPEED WILL PRODUCE FILTER VIBRATIONS THAT CAN AFFECT THE FILTER BRACKET AND LED TO ITS FRACTURING AT THE 90 DEGREE BEND.

THE ILLUSTRATION BELOW SHOULD HELP TO SHOW THE DIFFERENCES IN THE 90 DEGREE BEND.



Updated 18-June-2013

WESTERBEKE CORPORATION

Myles Standish Industrial Park, 150 John Hancock Road, Taunton, MA 02780-7319 • Tel: 508.823.7677 • Fax: 508.884.9688

www.westerbeke.com